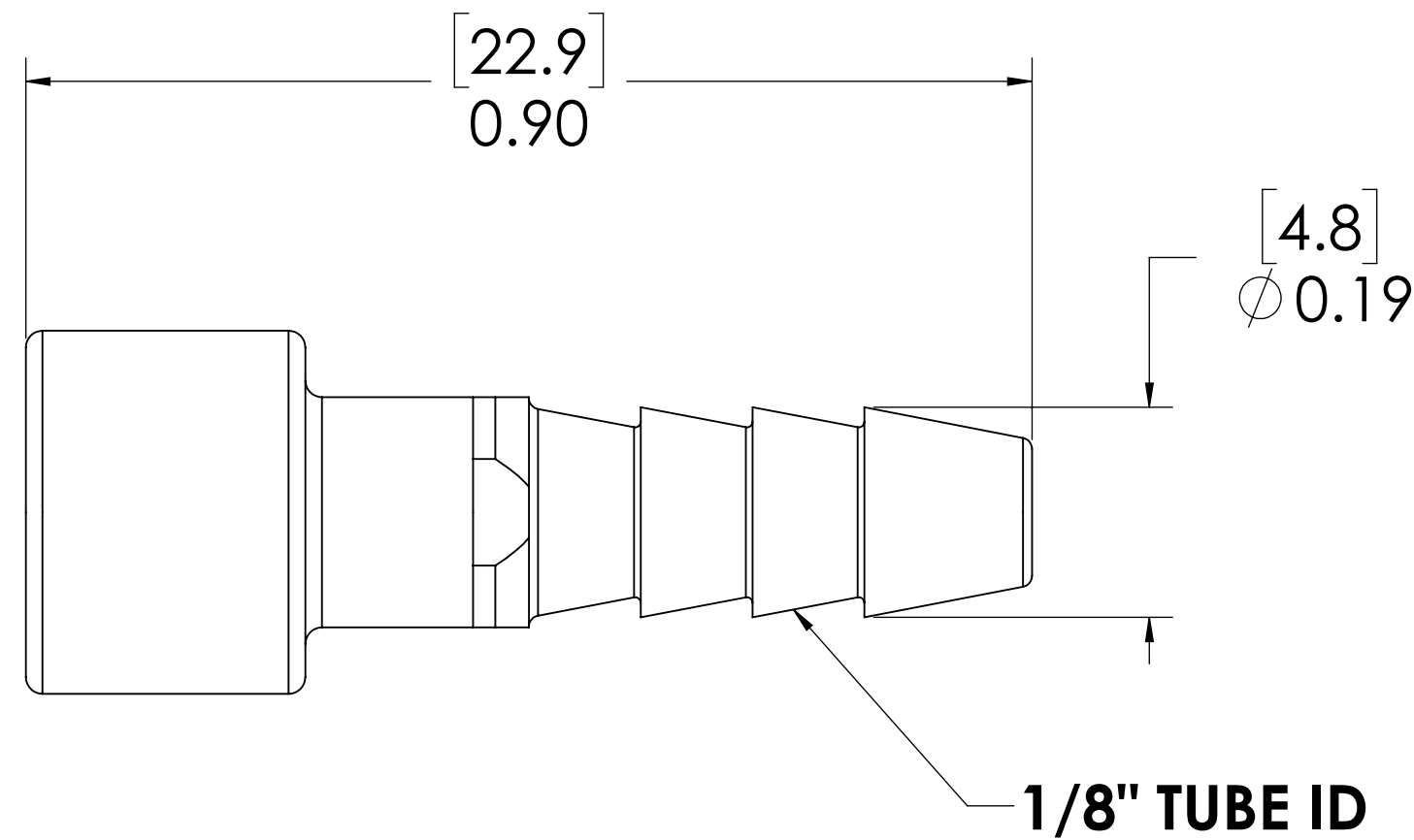
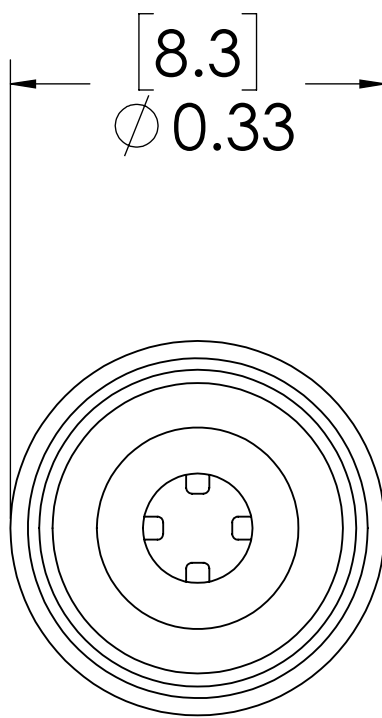
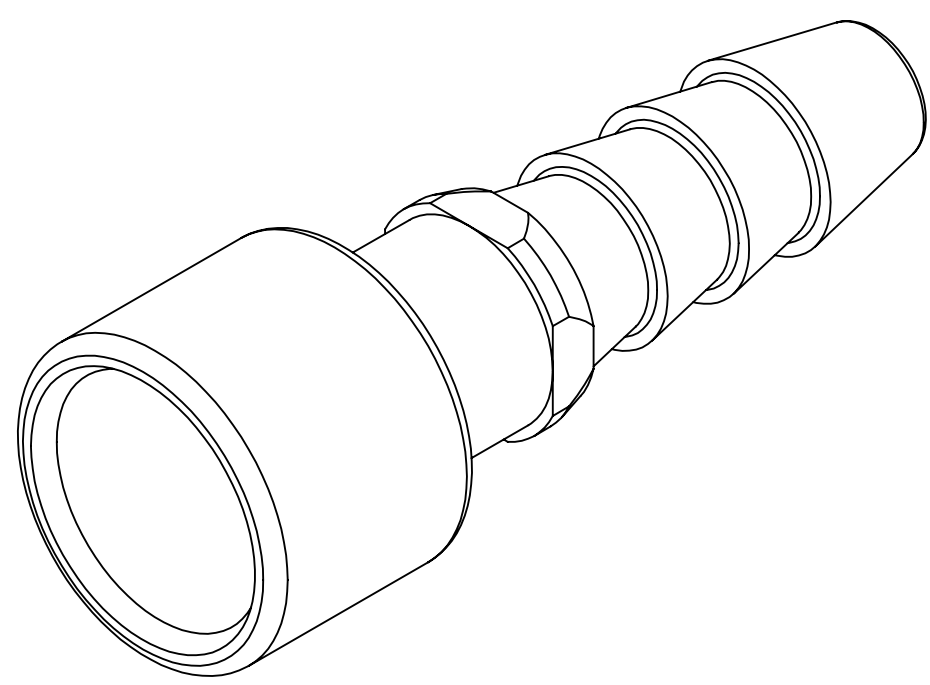


REVISIONS						
SHEET	ZONE	REV.	ECO	DESCRIPTION	DATE	APPROVED
1	ALL	A	50253	FORMAT 2017 UPDATE	3/8/2018	HRC



- NOTES:**
- MATERIAL: ACETAL
  - COLOR: BLACK
  - FINISH: HIGH GLOSS

**FOR REFERENCE ONLY**

<small>UNLESS OTHERWISE SPECIFIED:          DIMENSIONS ARE IN INCHES          TOLERANCES:          FRACTIONAL ± 1/32          ANGULAR, MACH ± 0.5 BEND ± 2          ONE PLACE DECIMAL ± 0.1          TWO PLACE DECIMAL ± 0.01          THREE PLACE DECIMAL ± 0.005          TWO PLACE DUAL (mm) [±0.12]</small>	DRAWN	RDA	7/14/2017	
	CHECKED	HRC	7/14/2017	
	ENG APPR.	HRC	03-08-18	
	MFG APPR.	BDB	03-08-18	
<small>PROPRIETARY AND CONFIDENTIAL          THE INFORMATION CONTAINED IN THIS DRAWING IS THE SOLE PROPERTY OF LINKTECH LLC. ANY REPRODUCTION OR DISCLOSURE IN PART OR AS A WHOLE WITHOUT THE WRITTEN PERMISSION OF LINKTECH LLC IS STRICTLY PROHIBITED.</small>	PURCHASING	RK	03-08-18	PART NO: 10AC-S2-02NSBLK DESCRIPTION: <b>LinkTech 10AC Series Straight, Non-valved, 125 HB, No Sleeve, Black</b>
COMMENTS:		SIZE	DWG. NO.	REV
		<b>C</b>	<b>10AC100073</b>	<b>A</b>
		SCALE: NTS	WEIGHT:	SHEET 1 OF 1